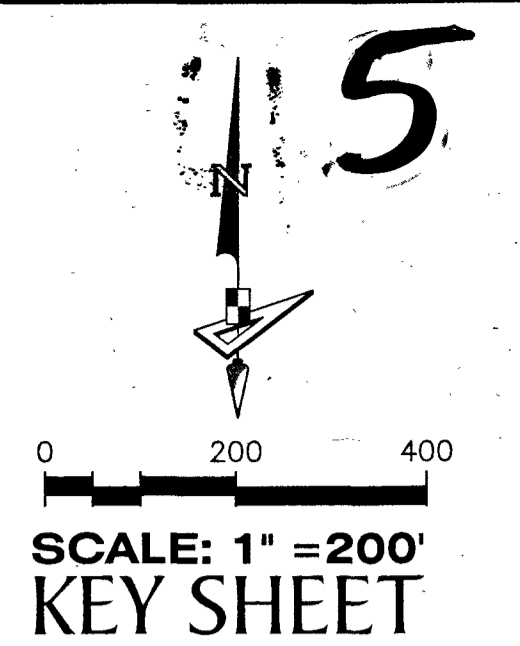


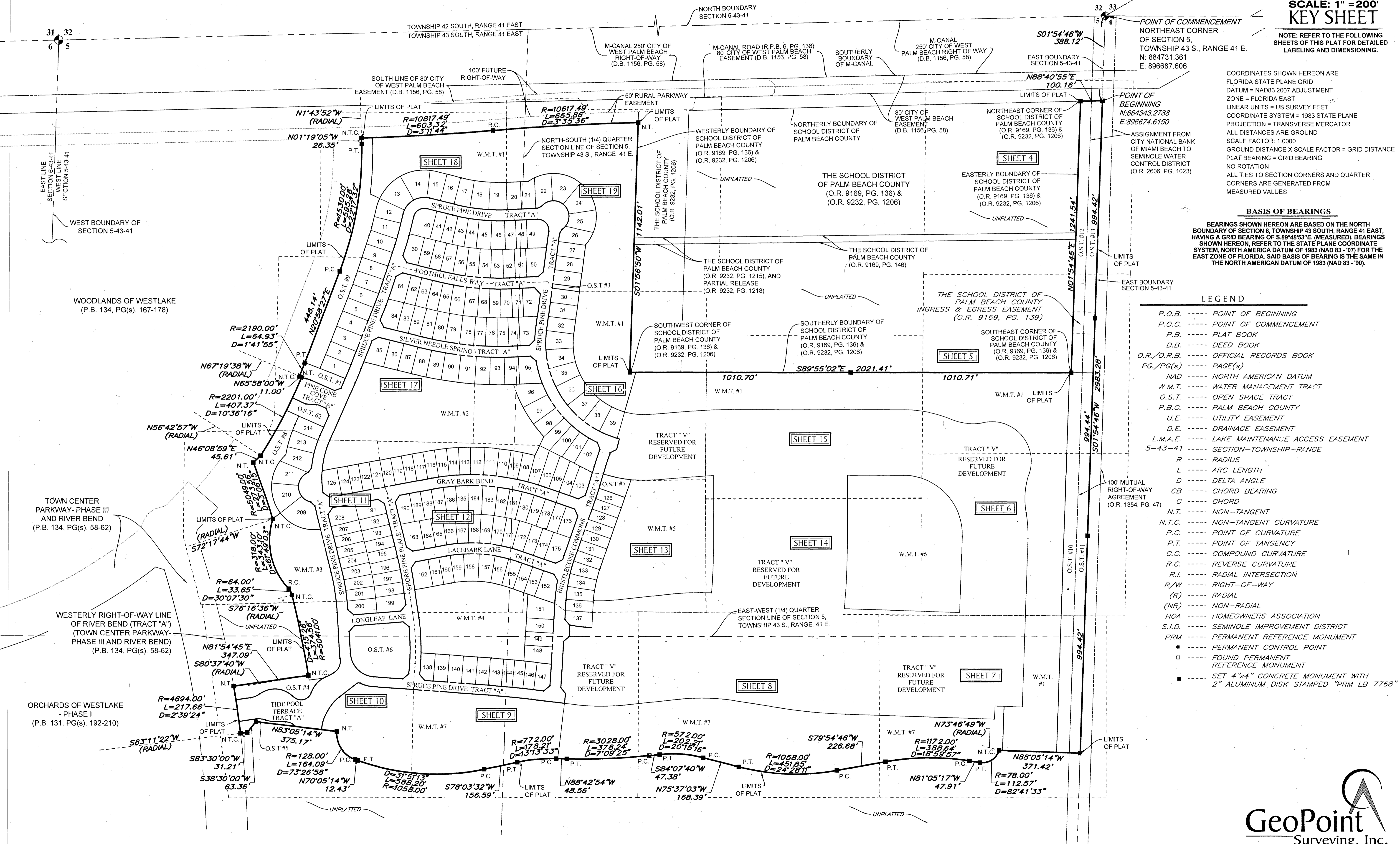
PINES OF WESTLAKE - PHASE I

BEING A PORTION OF SECTION 5, TOWNSHIP 43 SOUTH, RANGE 41 EAST,
CITY OF WESTLAKE, PALM BEACH COUNTY, FLORIDA.



NOTICE:
THIS PLAT, AS RECORDED IN ITS GRAPHIC FORM, IS THE OFFICIAL DEPICTION OF THE SUBDIVIDED LANDS DESCRIBED HEREIN AND WILL IN NO CIRCUMSTANCES BE SUPPLANTED IN AUTHORITY BY ANY OTHER GRAPHIC OR DIGITAL FORM OF THE PLAT. THERE MAY BE ADDITIONAL RESTRICTIONS THAT ARE NOT RECORDED ON THIS PLAT THAT MAY BE FOUND IN THE PUBLIC RECORDS OF THIS COUNTY.

NOTE: EASEMENTS, BUFFERS AND OTHER SUCH LABELS AND DIMENSIONS OF A PARALLEL NATURE AS SHOWN HEREON AND INDICATED TO THE NEAREST FOOT (IE: 5' UTILITY EASEMENT) ARE ASSUMED TO BE THE SAME DIMENSION EXTENDED TO THE NEAREST HUNDREDTH OF A FOOT WITH NO GREATER OR LESSER VALUE (IE: 5' = 5.00') (IE: 7.5' = 7.50')



COORDINATES SHOWN HEREON ARE FLORIDA STATE PLANE GRID DATUM = NAD83 2007 ADJUSTMENT ZONE = FLORIDA EAST LINEAR UNITS = US SURVEY FEET COORDINATE SYSTEM = 1983 STATE PLANE PROJECTION = TRANSVERSE MERCATOR ALL DISTANCES ARE GROUND SCALE FACTOR: 1.0000 GROUND DISTANCE X SCALE FACTOR = GRID DISTANCE PLAT BEARING = GRID BEARING NO ROTATION ALL TIES TO SECTION CORNERS AND QUARTER CORNERS ARE GENERATED FROM MEASURED VALUES

BASIS OF BEARINGS
BEARINGS SHOWN HEREON ARE BASED ON THE NORTH BOUNDARY OF SECTION 6, TOWNSHIP 43 SOUTH, RANGE 41 EAST, HAVING A GRID BEARING OF S 89° 48' 53" E. (MEASURED). BEARINGS SHOWN HEREON, REFER TO THE STATE PLANE COORDINATE SYSTEM, NORTH AMERICA DATUM OF 1983 (NAD 83 - 07) FOR THE EAST ZONE OF FLORIDA. SAID BASIS OF BEARING IS THE SAME IN THE NORTH AMERICAN DATUM OF 1983 (NAD 83 - 90).

- LEGEND**
- P.O.B. ----- POINT OF BEGINNING
 - P.O.C. ----- POINT OF COMMENCEMENT
 - P.B. ----- PLAT BOOK
 - D.B. ----- DEED BOOK
 - O.R./O.R.B. ----- OFFICIAL RECORDS BOOK
 - PG./PG(S) ----- PAGE(S)
 - NAD ----- NORTH AMERICAN DATUM
 - W.M.T. ----- WATER MANAGEMENT TRACT
 - O.S.T. ----- OPEN SPACE TRACT
 - P.B.C. ----- PALM BEACH COUNTY
 - U.E. ----- UTILITY EASEMENT
 - D.E. ----- DRAINAGE EASEMENT
 - L.M.A.E. ----- LAKE MAINTENANCE ACCESS EASEMENT
 - 5-43-41 ----- SECTION-TOWNSHIP-RANGE
 - R ----- RADIUS
 - L ----- ARC LENGTH
 - D ----- DELTA ANGLE
 - CB ----- CHORD BEARING
 - C ----- CHORD
 - N.T. ----- NON-TANGENT
 - N.T.C. ----- NON-TANGENT CURVATURE
 - P.C. ----- POINT OF CURVATURE
 - P.T. ----- POINT OF TANGENCY
 - C.C. ----- COMPOUND CURVATURE
 - R.C. ----- REVERSE CURVATURE
 - R.I. ----- RADIAL INTERSECTION
 - R/W ----- RIGHT-OF-WAY
 - (R) ----- RADIAL
 - (NR) ----- NON-RADIAL
 - HOA ----- HOMEOWNERS ASSOCIATION
 - S.I.D. ----- SEMINOLE IMPROVEMENT DISTRICT
 - PRM ----- PERMANENT REFERENCE MONUMENT
 - ----- PERMANENT CONTROL POINT
 - ----- FOUND PERMANENT REFERENCE MONUMENT
 - ----- SET 4"x4" CONCRETE MONUMENT WITH 2" ALUMINUM DISK STAMPED "PRM LB 7768"